

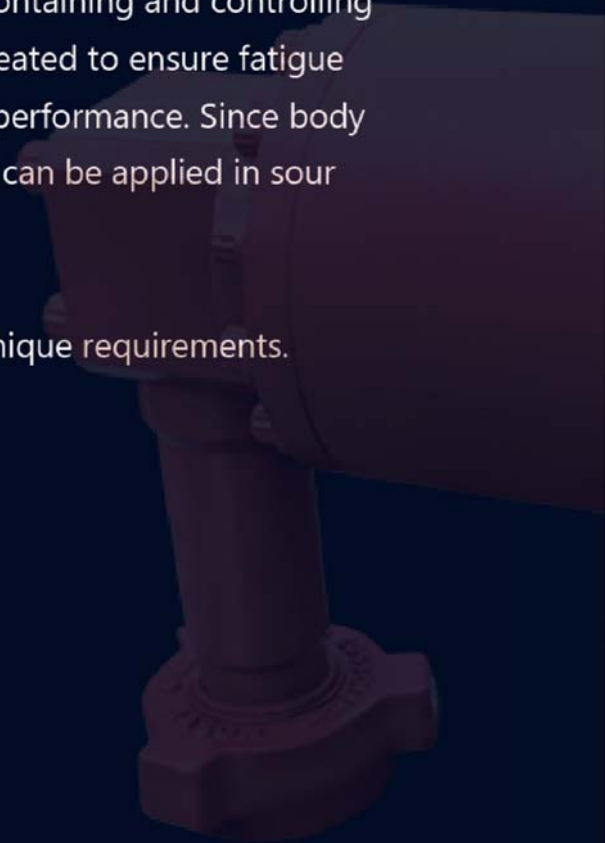
---

# Reel Swivels

Reel swivels are designed to connect high pressure manifolds and coiled tubing reel for continuous rotation of the reel at full working pressure.

Wing nuts are used on both connecting outlets. The pressure containing and controlling parts are forged from premium alloy steel, and specially heat treated to ensure fatigue strength under continuous high pressure operation and safety performance. Since body materials meet the requirements of NACE MR0175, reel swivels can be applied in sour service by changing to appropriate outlet.

JASON provides customized design to meet each customer's unique requirements.

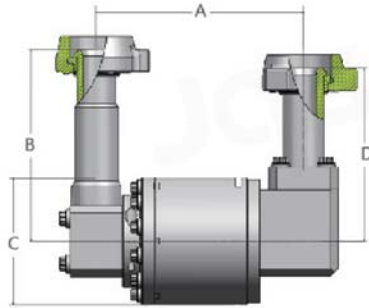




- Cold Working Pressure: 6,000psi to 20,000psi
- Nominal Size: 1" to 4"
- Temperature Range: -20°F to 250°F/-50°F to 250°F
- Recommended Service: fracturing, cementing, acidizing and testing lines

## Reel Swivel Model Selection

Nom. Size	End Connection	CWP psi(bar)	P/N	Weight lb(kg)	Dimension (in.)				Service
					A	B	C	D	
2"	FIG 1502(M x M)	15,000(1,034)	3900000568	258(117)	14.51	13.50	φ8.91	12.20	Standard
3"	FIG 1502(M x M)	15,000(1,034)	3911075264	683(310)	19.71	17.71	φ11.92	17.71	Standard



## Reel Swivel Repair Kit

Type	Repair Kit P/N	Details & Quantity			
		O Ring ①	O Ring ②	O Ring ③	Packing Seal Assembly ④
2" FIG 1502	3900000568	1	2	1	1
3" FIG 1502	3911076781	1	2	1	1

