
Pressure Relief Valves

Pressure relief valves are direct acting, self reseating valves with spring washers that control the system pressure by automatically opening and closing. The valves provide over pressure protection for high pressure manifolds and vessels, reciprocating plunger pumps with maximum working pressure of 1,000psi to 20,000psi. In case the system pressure exceeds a pre-set value, the valve will automatically overflow as a tattletale and close once the system pressure drops below the pre-set value to protect personal safety and the entire flowline.

JASON has also developed pressure relief valves for sour service. To distinguish from standard type, the pressure relief valves for sour service are painted olive green. For further requirements, please contact us.

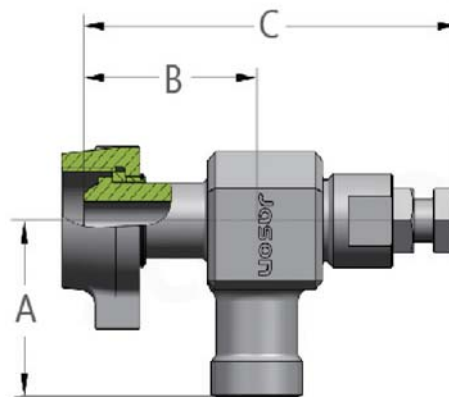




- Cold Working Pressure: 1,000psi to 20,000psi
- Nominal Size: 2" to 4"
- Temperature Range: -20°F to 250°F/-50°F to 250°F
- Recommended Service: fracturing, cementing, acidizing and testing lines

Pressure Relief Valve Model Selection

Nom. Size	End Connection	CWP psi(bar)	P/N	Weight lb(kg)	Dimension (in.)			Service
					A	B	C	
2"	FIG 1502(F x M)	15,000(1,034)	3900000032	54(24.4)	6.06	6.06	13.40	Standard
2"	FIG 2002(F x M)	20,000(1,379)	3901076148	61(27.7)	6.06	6.87	14.87	Standard
2"	FIG 1502(F x M)	10,000(690)	3901076228	65 (29.5)	7.50	7.50	15.34	Sour



Pressure Relief Valve Repair Kit

Style		2"FIG 1502	2"FIG 2002	2"FIG 1502
Repair Kit P/N		3901076130	3901076151	3901077405
Service		Standard	Standard	Sour
Qty.	O Ring ①	1	1	1
	Seat ②	1	1	1
	Ball Bearing ③	1	1	1
	Lip Seal ④	1	1	1
	Back-Up Ring ⑤	N/A	1	1
	O Ring ⑥	N/A	1	1
	O Ring ⑦	1	N/A	N/A

